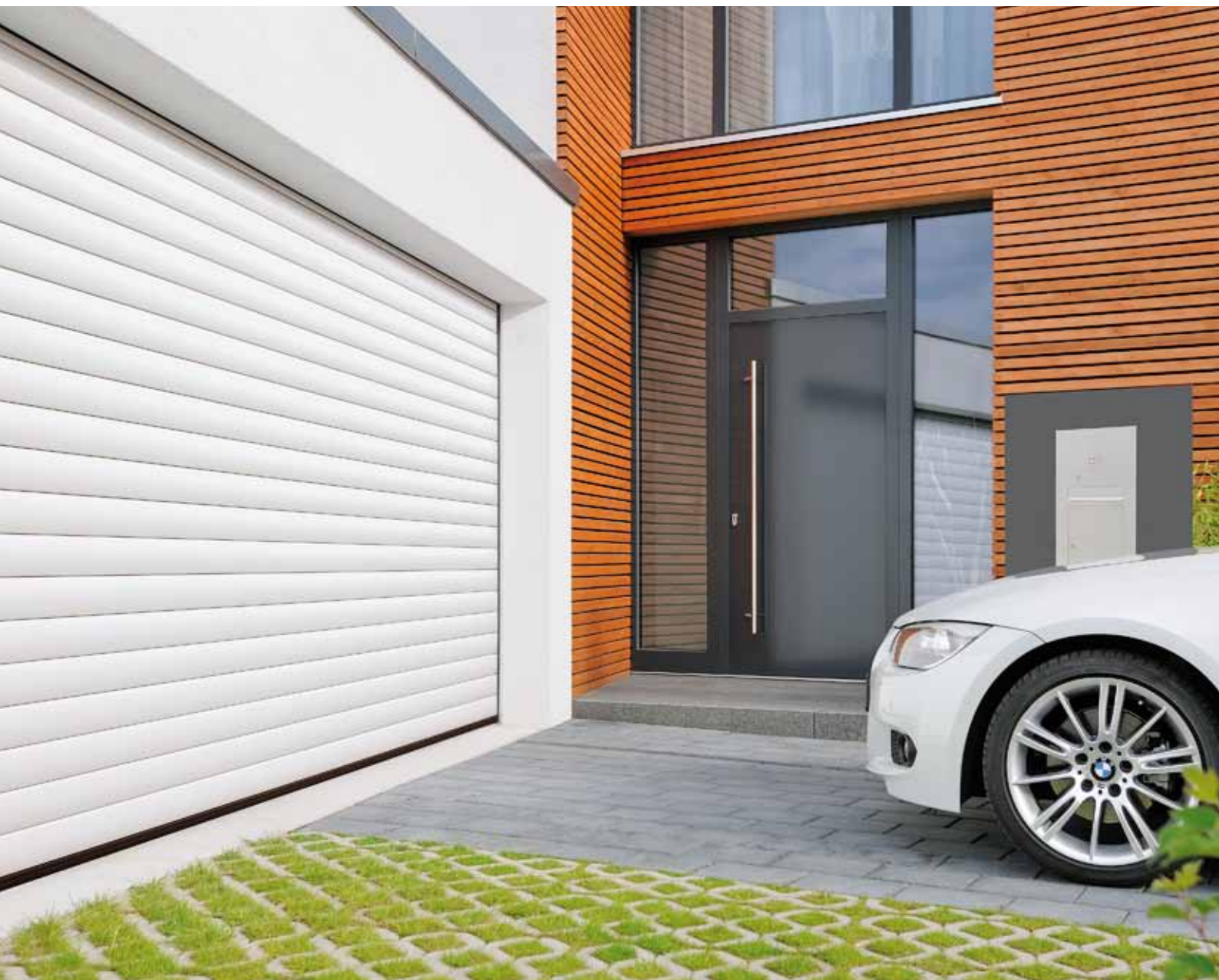




**Hörmann BiSecur**  
The modern radio system for garage door operators



# Roller Garage Door RollMatic

More free space in the garage with innovative Hörmann technology



# Hörmann brand quality

Top safety and reliability



**“A good reputation must be earned.”** (August Hörmann)

In line with the founder’s philosophy, the Hörmann brand today is a true promise of quality. The family-owned company has over 75 years of experience in door and operator construction and, with sales of over 20 million doors, is no. 1 in Europe. This gives you a reassuring feeling when purchasing a Hörmann roller garage door.



## German quality

All doors and operator components are developed and manufactured by Hörmann, are perfectly matched to each other and tested and certified by independent, recognised institutes to ensure your safety. They are manufactured in Germany according to the DIN ISO 9001 quality management system and fulfil all the requirements of European standard 13241-1. Our highly qualified employees also work intensively on new products, continual further developments and improvement to details. The results are patents and one-of-a-kind products you can depend on.



## RollMatic roller garage doors for generations

Endurance tests under real conditions ensure mature series products with Hörmann quality. Thanks to this, as well as excellent technical solutions and uncompromising quality assurance, you receive a 10-year warranty on all RollMatic roller garage doors and 5 years on all Hörmann operators.



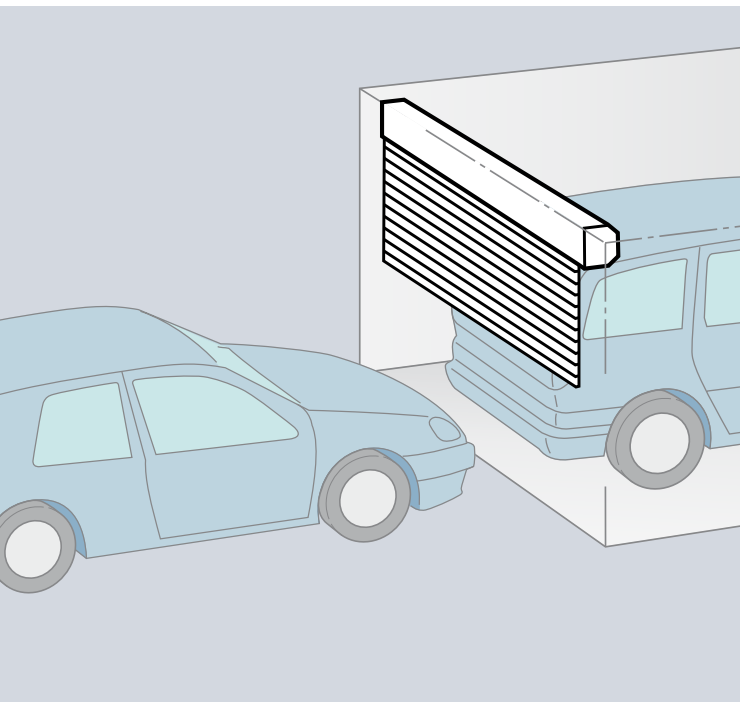
## An eye on the future

Hörmann is setting a good example. This is why, from 2013 onwards, the company will obtain up to 40 % of its required energy from green sources and will continue to increase this percentage. At the same time, many tonnes of CO<sub>2</sub> are saved each year thanks to the introduction of an intelligent and certified energy management system. And last but not least, Hörmann also offers products for sustainable construction.

\*The complete warranty conditions can be found at:  
[www.hoermann.com](http://www.hoermann.com)

# Good reasons for a roller garage door

## Convincing in terms of function and appearance



### Maximum space in front of and in the garage

#### Space-saving design

RollMatic roller garage doors open vertically and require minimum space inside the garage. This construction principle means you can make full use of the space inside and in front of the garage. The ceiling also remains free and can be used for lamps or as an additional storage space.

#### Ideal for modernisation

The shape of the garage door opening doesn't play a role with roller garage doors. A Hörmann RollMatic fits anywhere, no matter whether your garage opening is rectangular or chamfered, or has a segmental or a Norman arch.

**A Hörmann RollMatic roller door always fits.**

### External roller garage doors with a lack of interior sideroom

#### Fitting in front of the opening

The RollMatic is also available as an external roller garage door for fitting in front of the opening if your garage has little lintel space and / or sideroom.

The external roller garage door is supplied as a complete package with a matching operator. The shaft cover around the operator protects it from adverse weather effects and unauthorised interference.

The barrel cover and frame come in the same colour as the door to create a uniform and harmonious appearance.

The tension spring cover on the sides of the external roller garage door is made of aluminium and features vision sections to control the spring system.

# Good reasons to try Hörmann

Innovations from the market leader



# 1

## Reliable and safe: the tension spring assembly

### Convincing technology

The proven tension spring assembly supports the operator during the opening and closing of the door. This preserves the operator mechanism. In case of emergency, the door can be easily opened by hand. A crank handle is not necessary. Double cabling additionally protects the door from crashing.

The special profile arrangement at the shaft guarantees a secure, break-in resistant locking. With this mechanism, it is practically impossible to push the curtain open.

# 2

## Maintenance-friendly and especially silent

### Operator included as standard

The operator is located outside the shaft cover for trouble-free maintenance. The start and stop of the RollMatic door are particularly soft and silent, preserving the door. The spring compensation and reliable automatic cut-out render an additional closing edge safety device unnecessary. An internal push button and light are already integrated in the control housing.

# Elegant appearance

Design possibilities for RollMatic roller garage doors



▲ Outside view of the door curtain and inside view of external roller garage doors ▼ Inside view and outside view of external roller garage doors



### Smooth surface

The smooth surface of the aluminium profiles looks modern and elegant, unlike ribbed profiles from other suppliers. Furthermore, a high-quality coating on the inside and outside of the door's surface makes it easy to clean.

### Profile with thermal insulation

The hollow space of the profile is evenly filled with polyurethane rigid foam for quiet door travel.

### Glazing elements

Get more daylight in your garage! The glazing elements with synthetic panes are arranged across the entire profile width. The number of elements depends on the respective door width. A maximum of ten profiles can be fitted with glazings in each door.

### Ventilation grilles

Ventilation of your garage improves the room climate and prevents mould. Ventilation grilles made of long-lasting plastic are arranged across the entire profile width. A maximum of ten profiles can be used for each door.



# Simply beautiful

Colours and surfaces – Let your taste decide



RollMatic with Decograin surface Golden Oak



**You can choose  
between 9 equally-priced colours  
and two attractive Decograin surfaces**



Traffic white	RAL 9016
Light grey	RAL 7035
White aluminium	RAL 9006
Steel blue	RAL 5011
Moss green	RAL 6005
Ruby red	RAL 3003
Terra brown	RAL 8028
Anthracite grey	RAL 7016
Jet black	RAL 9005

RollMatic roller garage doors from Hörmann are delivered in Traffic white as standard, in addition there are 8 preferred colours available without a surcharge.



Decograin Golden Oak  
Medium-brown, golden yellow  
oak design



Decograin Rosewood  
Mahogany-coloured timber design

#### **Decograin surface finishes with a distinguished timber look**

The two Decograin surfaces in the colours Golden Oak and Rosewood have a convincingly real timber look. A special surface protection preserves the UV-resistant plastic film coating on the RollMatic over a long time. Decograin surfaces are not available for external roller garage doors.

#### **Harmonious overall appearance**

Only Hörmann offers you the complete door in the selected door colour without a surcharge. The door curtain, guide rails, fascia panel and shaft cover are thus combined in an attractive and harmonious unit.

The inside of Decograin doors (door curtain, guide rails and shaft cover) is painted in brown.



## External roller garage door RollMatic

The solution for areas with a lack of interior sideroom



### **When there is not enough space in the garage**

A RollMatic external roller garage door for fitting in front of the opening is the right solution for garages with low headroom and / or sideroom.

The external roller garage door is always supplied as a complete package with a matching operator.

To create a uniform and harmonious appearance, the shaft cover and frame are in the same colour as the door curtain.



1

### Variable operator positions

**1** Depending on the fitting situation, operators for external roller garage doors can either be installed on the left or right. The shaft cover is 100 wider in this area and encloses the operator, protecting it from adverse weather effects or from unauthorised interference.



2

### Tension spring cladding with vision sections

**2** You can easily check whether the cable guide or springs are working through the vision sections in the spring cladding, providing you with safety even after many years.



3

### Secured release on inside

**3** The operator can be easily released from the inside using a hand pulley. You can, for example, easily open your door by hand from the inside during a power failure.

## Variants and optional extras



### **Matching side door**

A practical side door is a convenient way to access your garage. Matching the RollMatic, side doors are supplied with a corner frame and slim frame in the same design as the side doors for up-and-over garage doors.

## Manually operated door

### Easy manual opening

Thanks to the supporting tension spring compensation, Hörmann roller garage doors are easy to manually open and close from the outside of the garage using the handle **1** and from the inside with the pull chain **2**.

### Manual door locking

The manually operated roller garage door is mechanically locked using interior and exterior handles and a lock. Solid metal bolts extend on the right and left into the door frame **2**.



## Chamfered bottom profile

The solution for sloping ground: An aluminium chamfered bottom weather seal compensates for differences in height over the entire door width of up to 300 mm. The profile can be fitted without any difficulty and is simply screwed onto the inserted curtain. The bottom profile is delivered powder-coated in Jet black (similar to RAL 9005). On request, the bottom profile (as shown) is also available in a colour matching the door colour.



## Additional fascia panel

The additional fascia panel stabilises the fascia panel during fitting in the opening and harmoniously covers the lintel without any unattractive fitting holes. The additional fascia panel is available in the colour of the door or with a Decograin surface **3**.

## Fitting compensation set

The optional compensation set ensures a flush-fitting installation of the door in uneven walls **4**. For more information, consult the technical manual.



# Convincing technology

Details perfectly matched to each other



## Easy to fit

RollMatic roller garage doors are quickly and simply fitted. The side guides, lintel bracket and operator are bolted to the garage walls and lintel. Subsequently, the curtain is connected to the shaft using belts, pulled onto the shaft by the operator and fixed. There is no need for extensive adjustment.

### Tension spring assembly with multi-spring system

**1** Hörmann RollMatic roller garage doors with double tension springs and double cabling protect the door leaf from crashing in every door position. The patented multi-spring system and the transparent protective cover prevent broken springs from flying out and thus protect from personal injury.

### A well protected shaft

**2** The standard shaft cover practically prevents reaching into the door barrel. In addition, it protects the curtain from damage and dirt when the door is open. The cover is supplied in the colour of the door or in brown with Decograin surface finishes.

### Integrated mechanical anti-lift kit

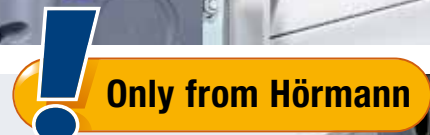
**3** The special section positioning at the shaft as well as the connection to the operator protect the RollMatic roller garage door from being pushed open forcefully from the outside. This makes burglary attempts much more difficult. Of course, manual opening from the inside is possible in emergencies.

### Wear-resistant bearing rings // NEW

**4** The newly developed bearing rings made of various plastics reduce wear when the curtain is rolled up and down. This maintains the attractive appearance of the door curtain surface. The bearing rings also dampen noise and help the door close better.

### Wind locks as standard

**5** Hörmann's RollMatic roller garage doors can even withstand large wind loads (up to class 5). The wind locks fitted as standard in the profile ends keep the door securely within its guides. An additional advantage is increased protection from burglary.



# Hörmann BiSecur

A modern radio system for your home

**Only from Hörmann**



## Tested and certified

The newly developed, extremely secure BiSecur encryption protocol makes sure that no-one can copy your radio signal. It has been tested and certified by security experts at the Bochum University and has the same high security level as online banking.

## Award-winning design

The exclusive BiSecur hand transmitters are set apart by their high-gloss surface in a piano lacquer look, as well as by an elegant shape that fits easily in the palm of your hand. The figure on the left shows an HS 4 BS hand transmitter with optional hand transmitter station.

Hörmann's BiSecur hand transmitters have been awarded a design prize by an international jury.



reddot design award  
honourable mention 2011



Please see the following page for more information on the hand transmitters and other control elements. The complete range of accessories can be found in Hörmann's specialised brochure on garage door and entrance gate operators and at [www.hormann.co.uk](http://www.hormann.co.uk).



# Door, operator and control

## An optimally matched system



### Approved as a functioning unit

In RollMatic roller garage doors, the door components, operator and control are optimally adjusted to each other and approved as a functioning unit.

The integrated soft start and soft stop of the operator ensures smooth door travel and protects the door. The accessible operator housing facilitates easy maintenance.

The control is complete and equipped with a button and a light.

### Standard emergency release

Standard emergency release via a pull cord: The door can be easily pushed open after pulling the cord and does not have to be cranked open.

### Reliable automatic safety cut-out

The automatic safety cut-out secures the closing edge and immediately stops the door if there is an obstacle. This way an additional closing edge safety device can be omitted.

### As standard:

- Impulse control with integrated lighting
- HS4 BS, 4-button hand transmitter (black) and a HSE 2 BS, 2-button hand transmitter (black)
- Automatic safety cut-out with obstacle detection
- Emergency release from the inside via a pull cord
- Mechanical anti-lift kit
- Anti-fall safeguard through tension spring assembly



Standard hand transmitter HS 4 BS  
4 button functions



On encountering an obstruction, the automatic safety cut-out stops the door

# Security can look this beautiful

## Hörmann BiSecur hand transmitters and switches



reddot design award  
honourable mention 2011



**Hand transmitter  
HS 4 BS**  
4 button functions,  
only available in black



reddot design award  
winner 2007



**Hand transmitter  
HSD 2-A BS**  
Aluminium look (fig. left)

**HSD 2-C BS**  
High-gloss chrome,  
2 button functions each,  
can also be used as a key ring  
(fig. right)



**HS 1 BS**  
1 button function,  
only available in black



**Hand transmitter  
HSP 4 BS**



**Hand transmitter  
HSZ 1 BS**  
1 button function  
(fig. left)



**Hand transmitter  
HSE 2 BS**  
2 button functions,  
incl. eyelet for key ring,  
in black and white

**HSZ 2 BS**  
2 button functions,  
for insertion in vehicle  
cigarette lighter (fig. right)



**Hand transmitter  
HSE 2 BS // NEW**  
2 button functions,  
incl. key ring,  
available in 5 colours and  
6 surface finish decors

## Quality accessories for added security



**Radio code switch  
FCT 3 BS**  
For 3 functions,  
with illuminated buttons



**Radio code switch  
FCT 10 BS**  
For 10 functions,  
with illuminated buttons  
and protective cover



**Radio finger-scan  
FFL 12 BS**  
For 2 functions and  
up to 12 finger prints



**Key switch**  
For 1 function, in a recessed  
version (shown) and surface-  
mounted version,  
including 3 keys.



**Optional emergency release from the outside**  
For garages without a second access, we offer you  
the option of opening the door from the outside  
in case of emergency (e.g. power failure).



**Acoustic alarm**  
To complement the mechanical anti-lift kit, Hörmann  
optionally offers you an acoustic alarm. The shrill  
alarm sound with a volume of 110 dB (A), equal  
to a siren 10 m away, effectively deters burglars.

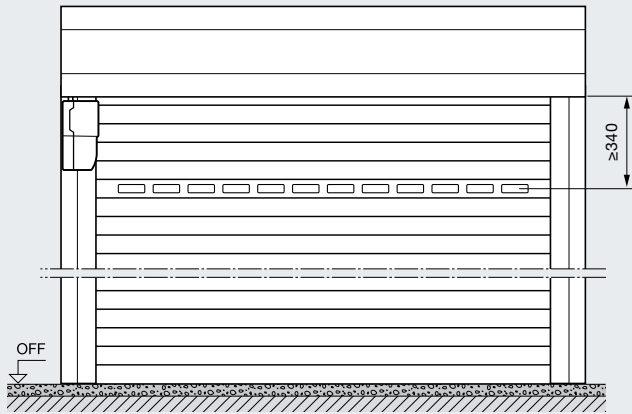


**The emergency battery**  
With this emergency power supply, you can bypass  
network power failures for up to 18 hours and  
max. 5 door cycles. The emergency battery recharges  
itself during normal operation.

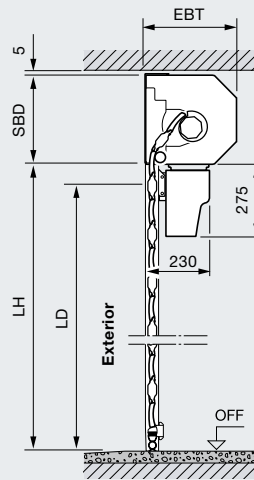
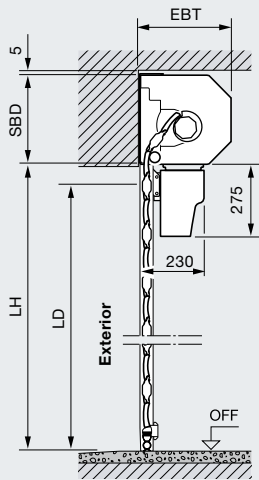
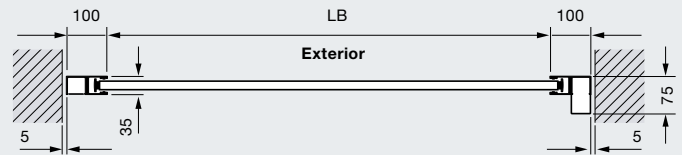
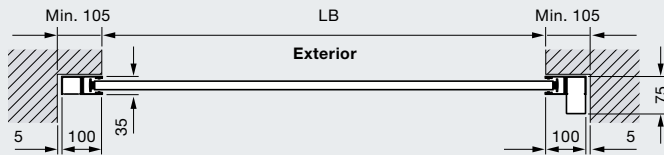
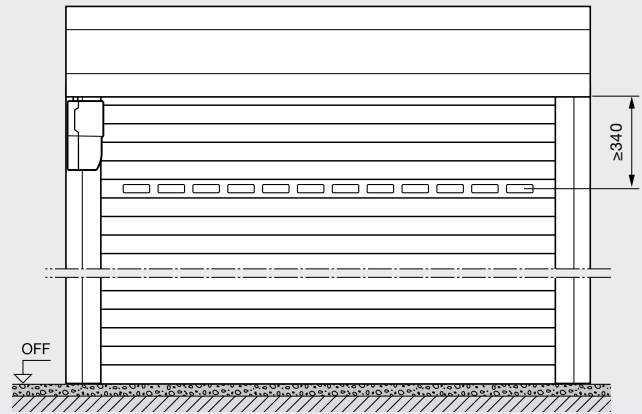
# Roller garage door fitting dimensions

## RollMatic roller garage door incl. operator

Internal roller garage door: Fitting behind the opening, view of fitting side



Internal roller garage door: Fitting in the opening, interior view

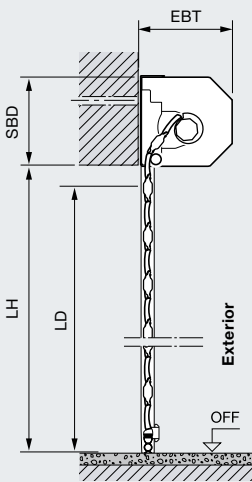
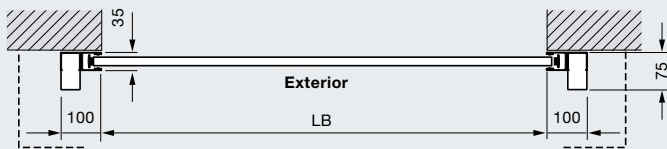
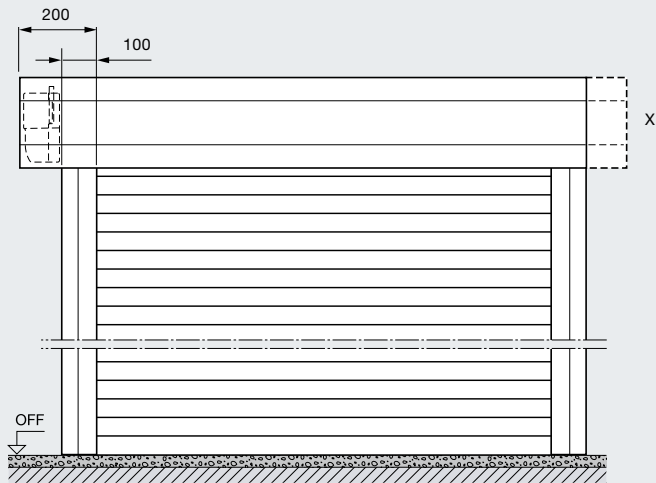


Size range for internal and external roller garage door

3100																				
3000																				
2875																				
2750																				
2675																				
2625																				
2500																				
2375																				
2250																				
2125																				
2000																				
1800																				
1600																				
	1000	1250	1500	1750	1900	2000	2250	2500	2750	3000	3250	3500	3750	4000	4250	4500	4750	5000		

Clear width (LB)

**External roller garage door: Fitting in front of the opening, view of fitting side**



**Explanation of dimensions**

- LB Clear width = ordering size
- LH Clear height = ordering size
- LD Clear passage
- EBT Fitting depth
- SBD Required headroom

**Fitting depth EBT**

- Up to 2300 mm door height 290 mm
- From 2301 mm door height 335 mm

**Required headroom SBD**

- Up to 2300 mm door height 290 mm
- From 2301 mm door height 335 mm

**Clear passage LD**

- Height (with operator) LH - 60 mm
- Height (manually operated) LH - 125 mm
- Width LB

**Side space requirement**

- 100 mm
- External roller garage door operator side 200 mm

**Wind load classes**

- Up to door widths of 3500 mm Class 5
- Up to door widths of 4500 mm Class 4
- Up to door widths of 5000 mm Class 3

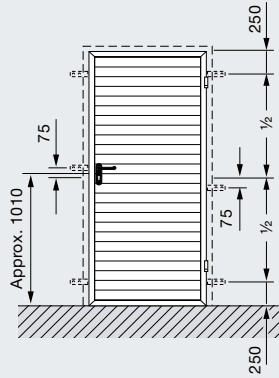
**X External roller garage door cladding**

A symmetrical arrangement is also possible, in addition to a variable operator position (as standard on the left, optionally on the right) with projection of the shaft cover on the operator side.

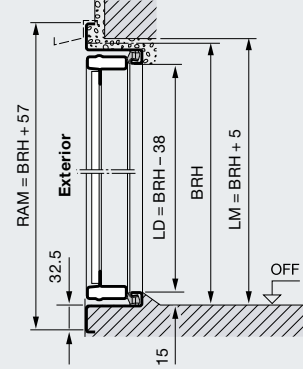
# Side door fitting dimensions

## Roller Garage Door RollMatic

Position of anchors



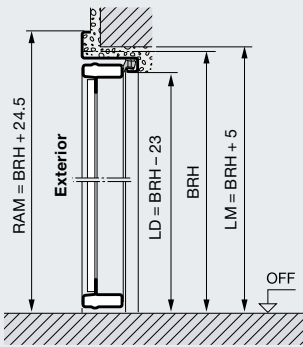
Single-leaf with threshold



Explanation of dimensions

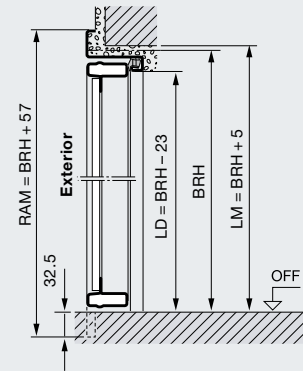
- RAM Overall frame dimension
- BRB Nominal size width
- BRH Nominal size height
- LM Structural opening
- LD Clear passage

Single-leaf without threshold

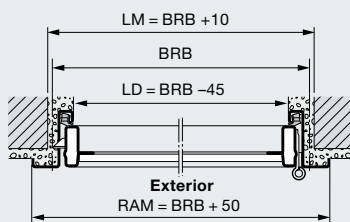


Single-leaf with threshold

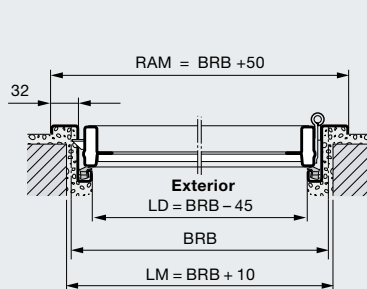
(the threshold is removed on-site)



External fitting opening outwards



Internal fitting opening inwards



### Material

Door frame and frame made of galvanized material, polyester powder-coated primer on both sides, with roller garage door section infill in RollMatic style. Position of sections does not match the RollMatic roller garage door. Glazing and ventilation grilles arranged as in the RollMatic roller garage door.

# Experience Hörmann quality

For every application involving new construction and modernisation

Hörmann provides an excellent basis for comprehensive planning. Carefully matched solutions offer you the very best in perfectly designed products for every area.

## Garage doors

Optimally match your personal architectural style: up-and-over or sectional doors made of steel, grp or timber.

## Door operators

Enjoy extra convenience and break-in-resistant security: Hörmann operators for garage doors and entrance gates.

## Entrance doors

Our comprehensive entrance door ranges include models that fit almost every need and requirement.

## Steel doors

Sturdy doors for your entire home, from basement to roof.

## Frames

Choose from our comprehensive range of products for new construction, expansion and modernisation.



Garage doors and entrance gate operators



ThermoPro entrance door



Steel doors

# Hörmann: Quality without Compromise



Hörmann KG Amshausen, Germany



Hörmann KG Antriebstechnik, Germany



Hörmann KG Brandis, Germany



Hörmann KG Brockhagen, Germany



Hörmann KG Dissen, Germany



Hörmann KG Eckelhausen, Germany



Hörmann KG Freisen, Germany



Hörmann KG Ichttershausen, Germany



Hörmann KG Werne, Germany



Hörmann Genk NV, Belgium



Hörmann Alkmaar B.V., Netherlands



Hörmann Legnica Sp. z o.o., Poland



Hörmann Beijing, China



Hörmann Tianjin, China



Hörmann LLC, Montgomery IL, USA



Hörmann Flexon, Leetsdale PA, USA

Hörmann is the only manufacturer worldwide that offers you a complete range of all major building products from one source. We manufacture in highly-specialised factories using the latest production technologies. The close-meshed network of sales and service companies throughout Europe, and activities in the USA and China, make Hörmann your strong partner for first-class building products, offering "Quality without Compromise".

**GARAGE DOORS**  
**OPERATORS**  
**INDUSTRIAL DOORS**  
**LOADING EQUIPMENT**  
**HINGED DOORS**  
**DOOR FRAMES**

**Hörmann (UK) Ltd**, Gee Road, Coalville, Leicestershire LE67 4JW  
Phone (01530) 513000, Fax (01530) 513001

